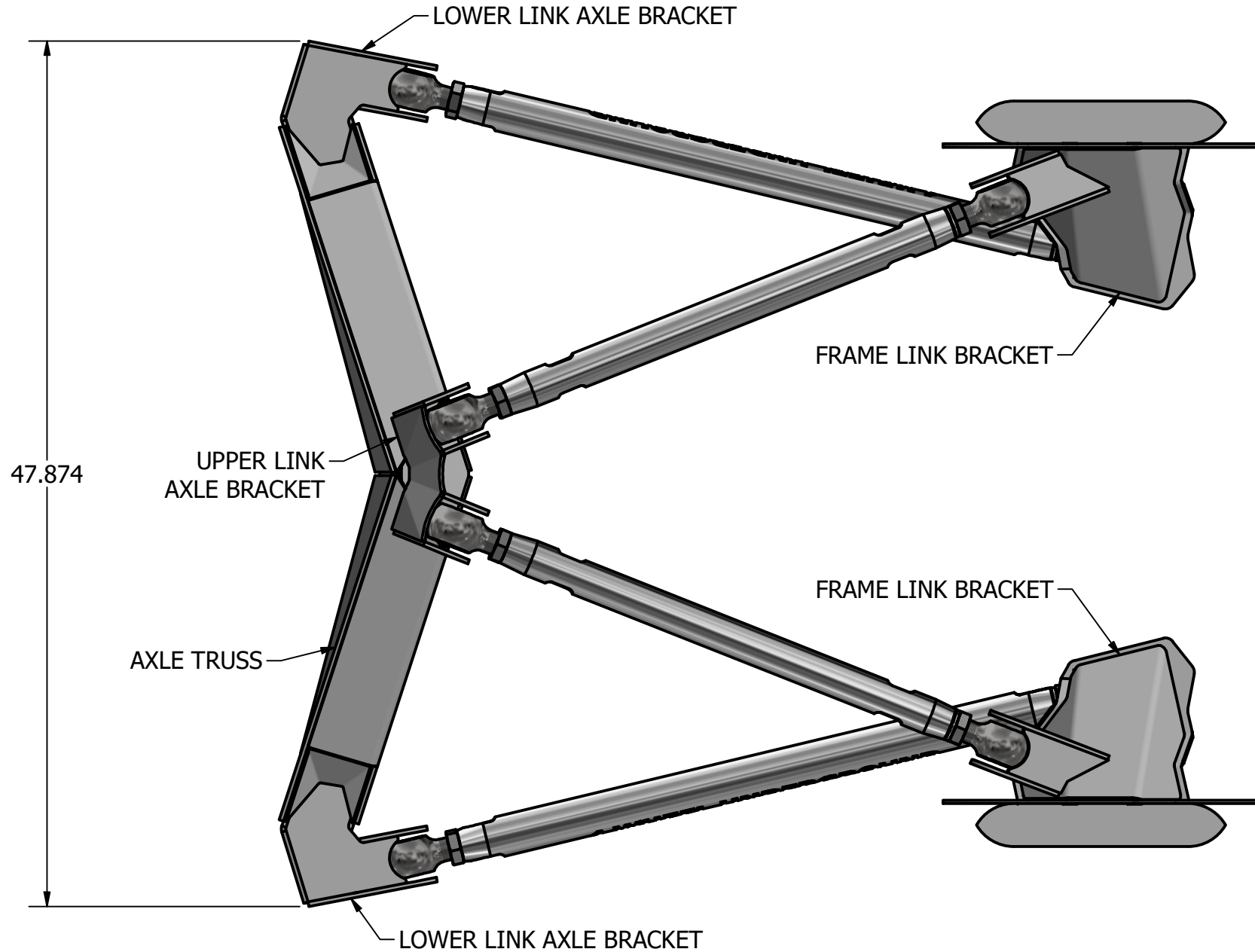
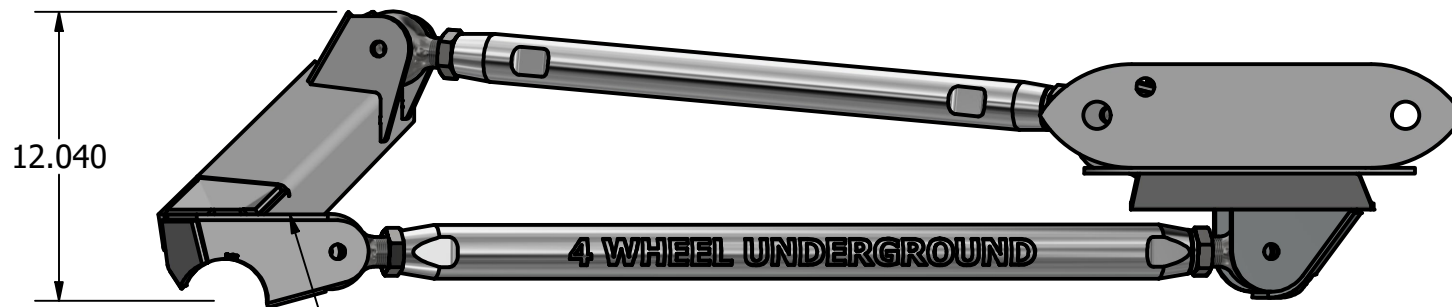


TRIANGULATED 4-LINK SUSPENSION SYSTEM



PINION ANGLE SHOULD BE SET
BASED ON TYPE OF DRIVESHAFT



SET TOP OF AXLE LOWER LINK BRACKET
LEVEL WITH GROUND AT RIDE HEIGHT

