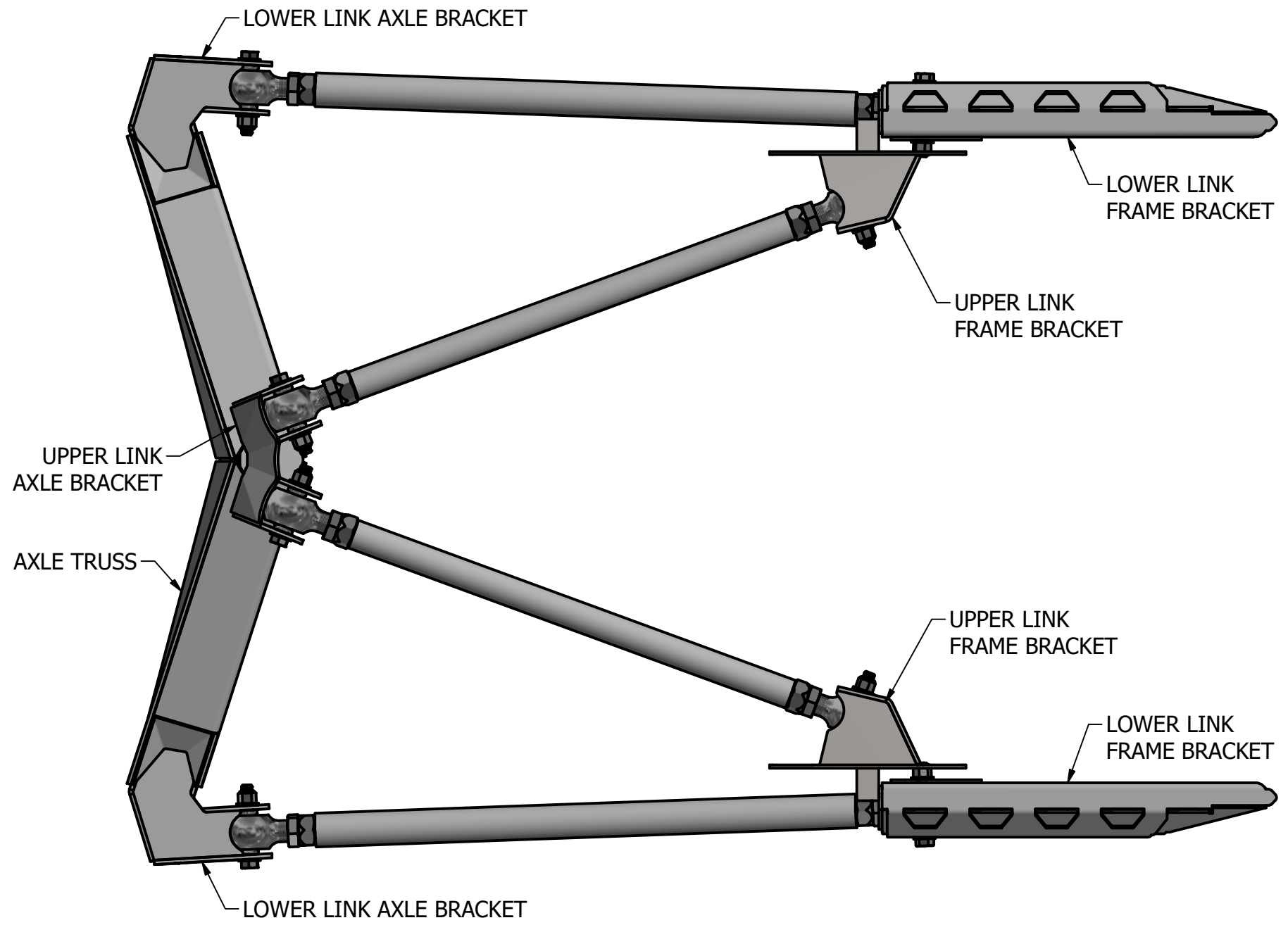
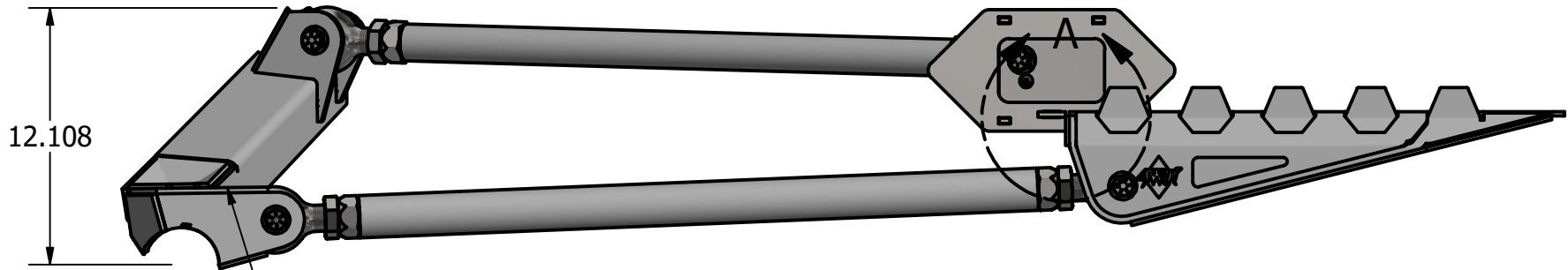


# PARALLEL 4-LINK SUSPENSION SYSTEM



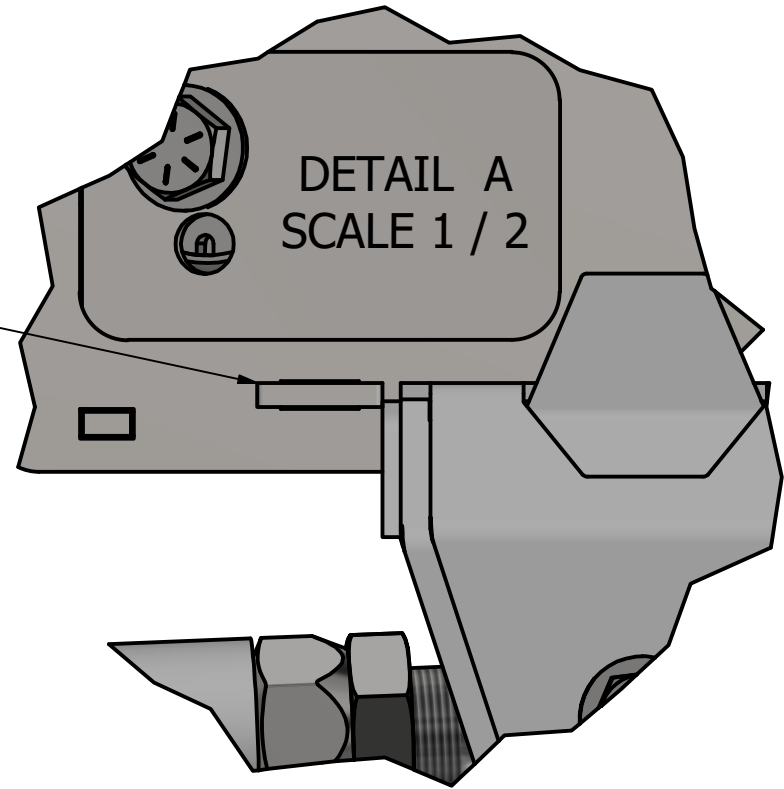
PINION ANGLE SHOULD BE SET  
BASED ON TYPE OF DRIVESHAFT



12.108

SET TOP OF AXLE LOWER LINK BRACKET  
LEVEL WITH GROUND AT RIDE HEIGHT

ALIGNMENT KEY  
(THIS WILL POSITION THE UPPER LINK  
FRAME BRACKET. IT SHOULD BE PLACED  
AGAINST THE BOTTOM OF THE FRAME,  
AND AGAINST THE BACK OF THE  
LOWER LINK FRAME BRACKET.)



DETAIL A  
SCALE 1 / 2

