

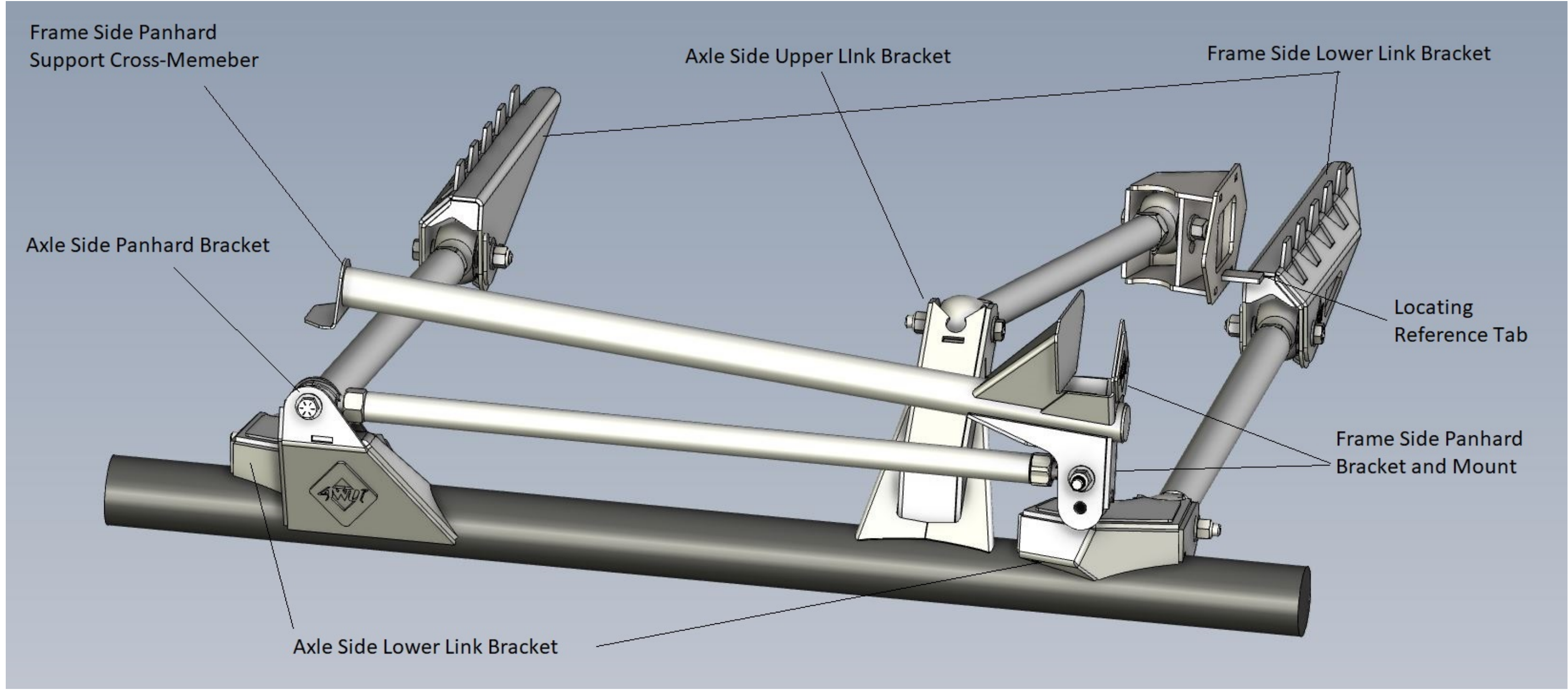
4

3



2

1



Frame Side Panhard Support Cross-Memeber

Axle Side Upper Lnk Bracket

Frame Side Lower Link Bracket

Axle Side Panhard Bracket

Locating Reference Tab

Frame Side Panhard Bracket and Mount

Axle Side Lower Link Bracket

B

B



A

A

DRAWN Brian Osborne 08/21/2023

THE INFORMATION CONTAINED IN THIS DRAWING IS THE SOLE PROPERTY OF 4 WHEEL UNDERGROUND. ANY REPRODUCTION IN PART OR IN WHOLE WITHOUT THE WRITTEN PERMISSION OF 4 WHEEL UNDERGROUND IS PROHIBITED



4 WHEEL UNDERGROUND

DESCRIPTION

3LINK REAR PARALLEL

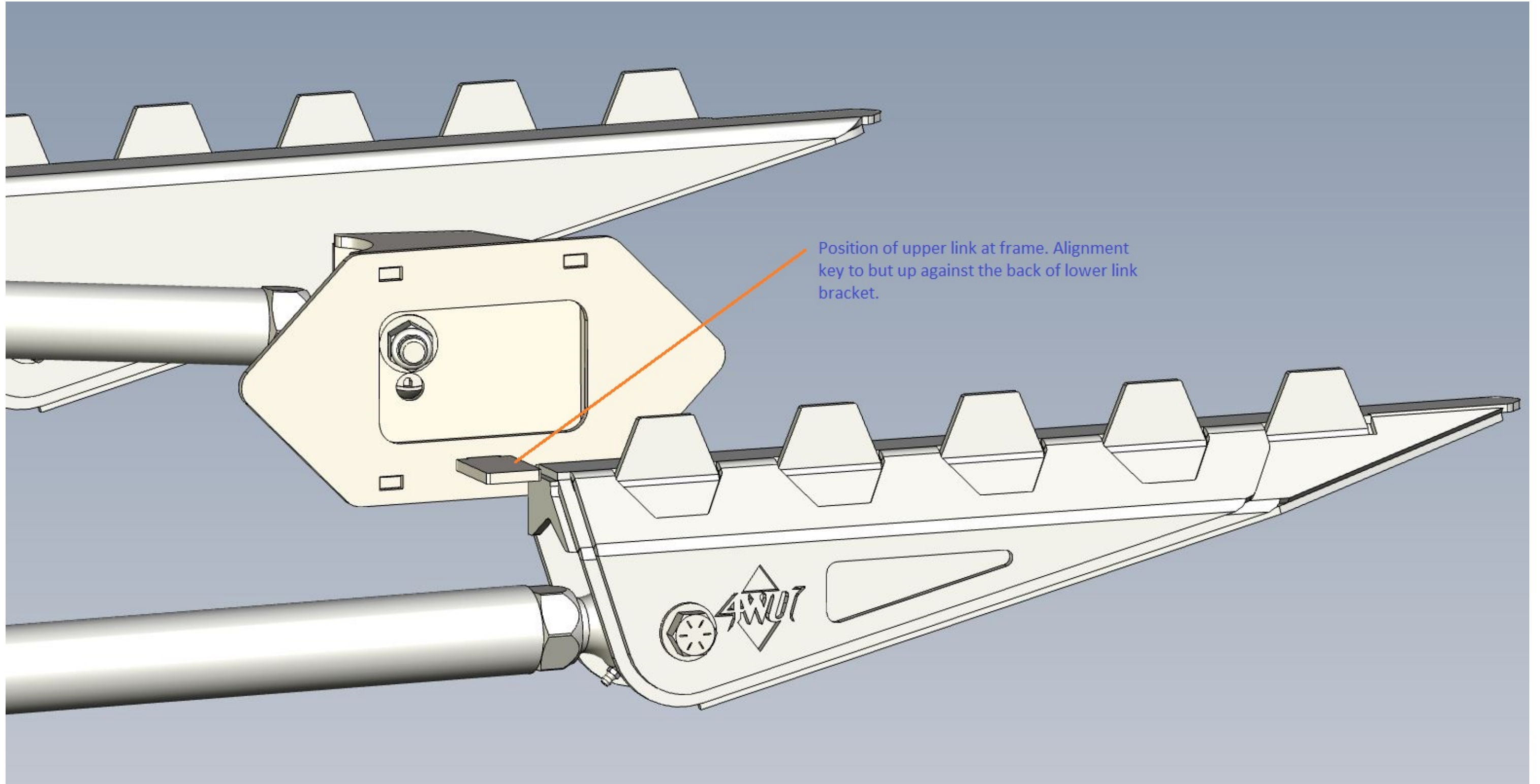
4

3



2

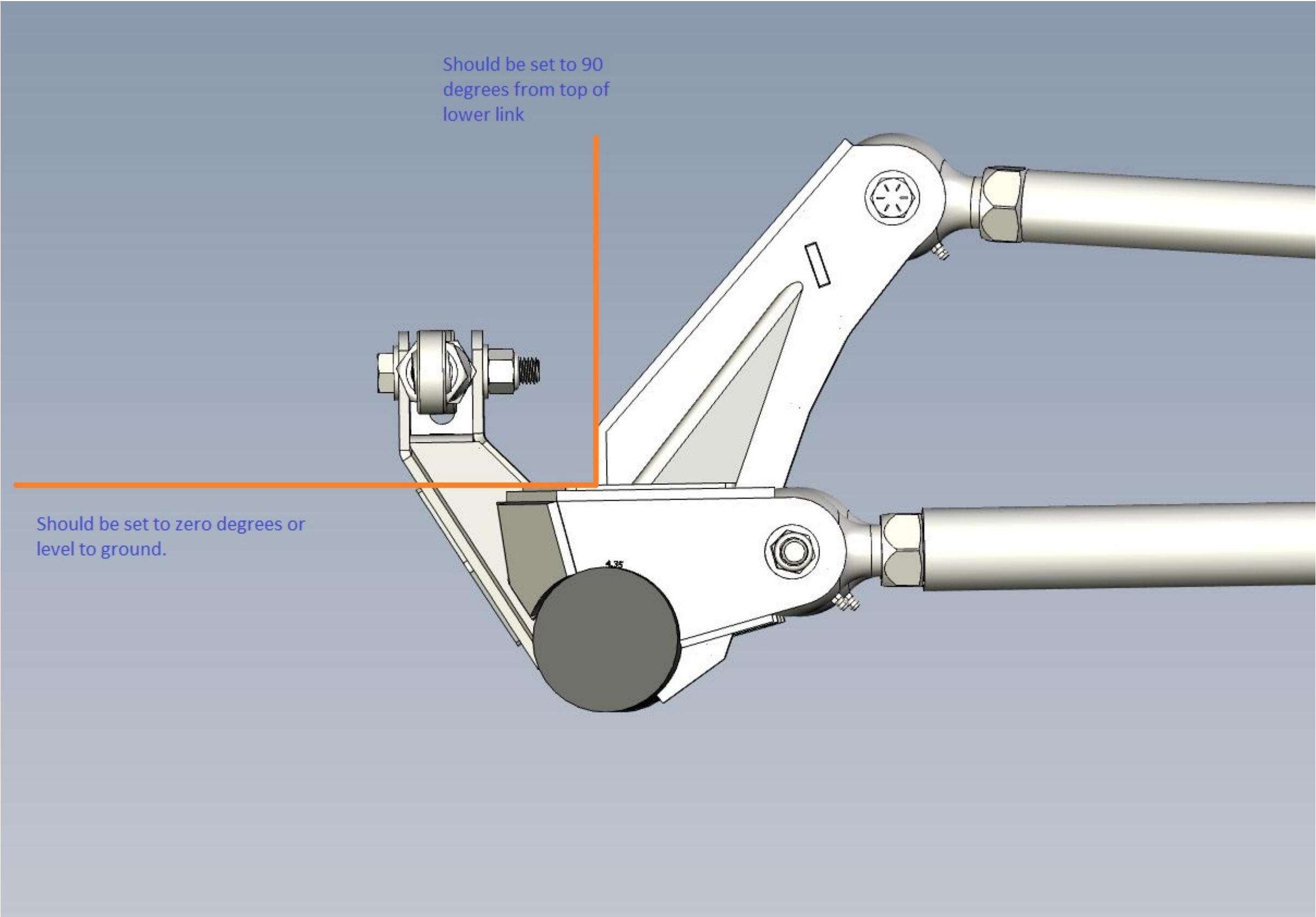
1

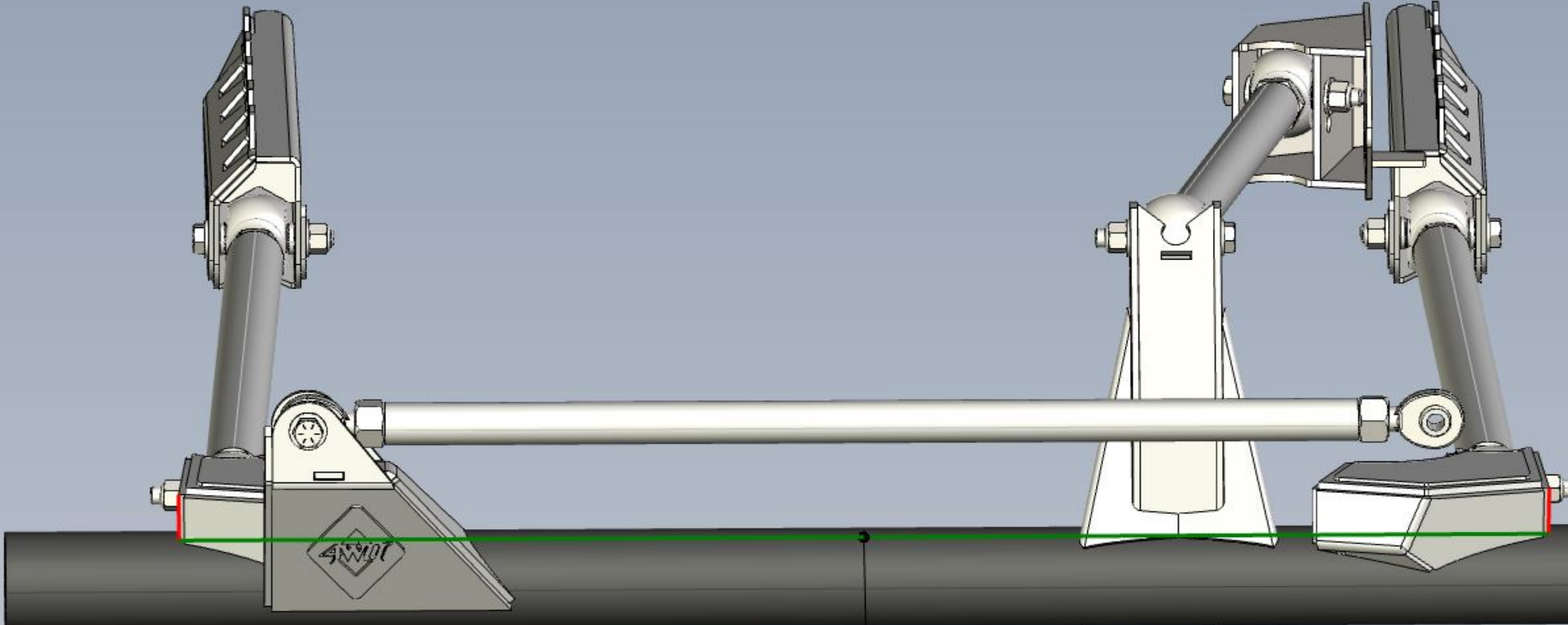


Position of upper link at frame. Alignment key to but up against the back of lower link bracket.

Should be set to 90 degrees from top of lower link

Should be set to zero degrees or level to ground.





Dist 47.853in